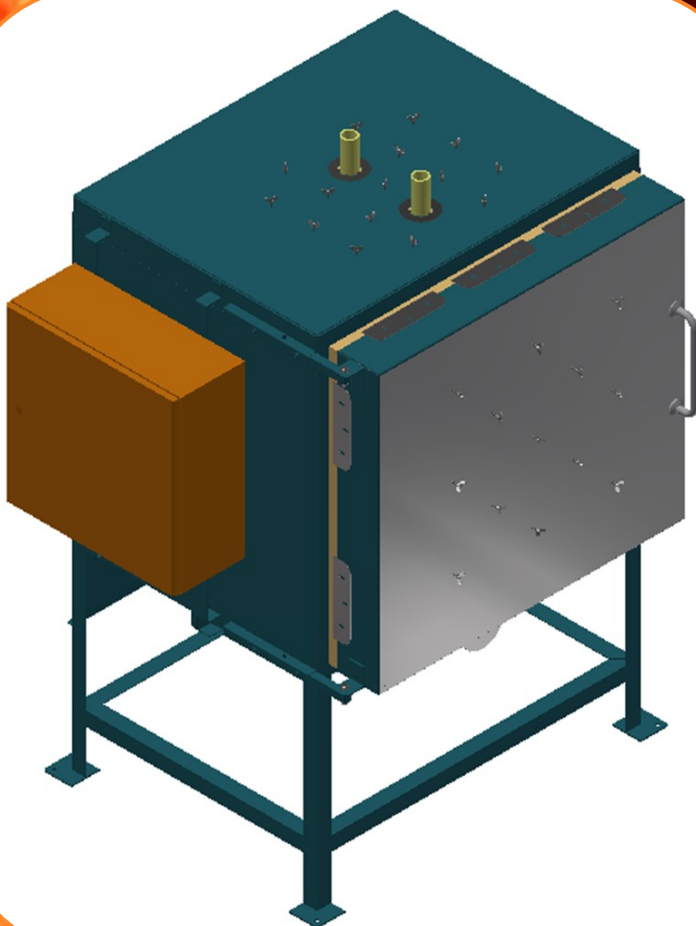




Furnace Technologies supply a range of standard or custom designed and built calcine ovens for drying and processing precious metals before the smelting process.

Our calcine ovens have excellent temperature uniformity and high air flows for rapid calcination. This is achieved through a unique venturi system design not found on other calcine ovens.

A wide variety of sizes and options are available and tray sizes can be made to suit your process. Power usage can be customised to suit moisture content.



Construction	Mild steel frame and stand built as one with lifting lugs
Casing	1.2 mm Zincalume / optional stainless steel
Electrical	3 phase and neutral, supplied with 4m lead and 5 pin plug
Insulation:	200mm
Elements	Kanthal A1 1300°C / 1000°C operating temperature
External Finish	Heat resistant hammer finish paint / optional stainless steel
Door	Left hand hinged unless otherwise requested
Thermocouple	Type K
Controller	Single or multi program controllers
Rack	316 stainless steel
Trays	253 MA stainless steel / fully pacified

CONTACT US

P: +61 8 9417 4226

E-Mail: sales@furnace-technologies.com.au

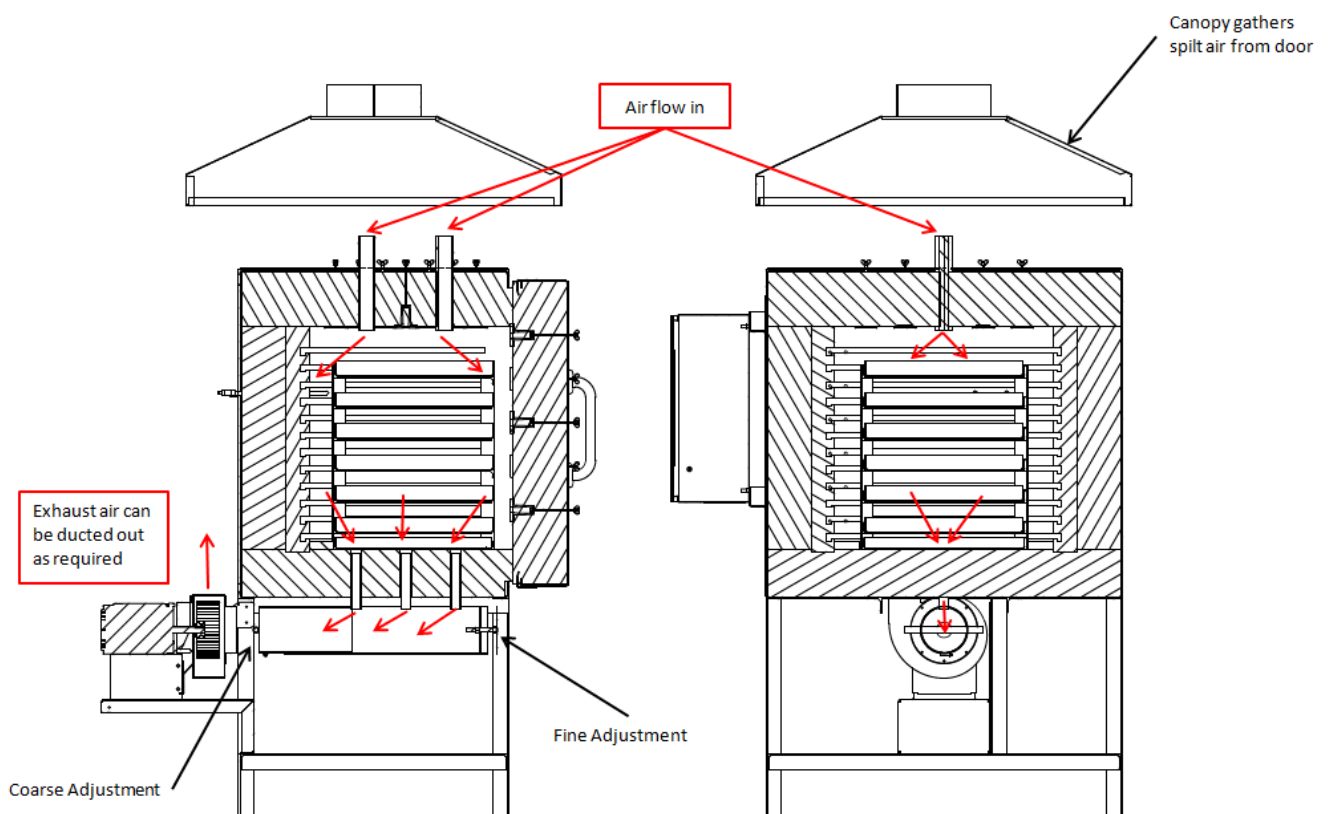
www.furnace-technologies.com.au

Furnace Technologies Pty Ltd
60 Cutler Road, Jandakot, WA 6164

Venturi Air Circulation System

Furnace Technologies' venturi air circulation system offers a number of benefits for the calcination process:

- More complete calcination due to the induction of oxygen into the heating chamber
- Less down-time and better lifespan due to the extraction of any acidic fumes which can be corrosive to the oven lining.
- Adjustable suction to suit the requirements of your process and the properties of the materials being fired.
- System dilutes the exhaust air with cooler external air, lowering the air temperature to protect the venturi fan from heat damage. The amount of dilution air can be adjusted.



CONTACT US

P: +61 8 9417 4226

E-Mail: sales@furnace-technologies.com.au

www.furnace-technologies.com.au

Furnace Technologies Pty Ltd
60 Cutler Road, Jandakot, WA 6164

Standard Calcine Oven Specifications

Model	Internal mm			External mm			Weight * kg	Tray Dim** mm	Qty Trays	Power kW	Temp °C
	Width	Depth	Height	Width	Depth	Height					
CAL55555-6	700	650	710	1495	1585	1865	470	500 x 500 550 x 550	6	17	1000
CAL55555-8	700	650	910	1495	1585	1915	515		8	21	1000
CAL55555-12	700	650	1310	1535	1595	2345	710		12	26	1000
CAL65655-6	800	750	710	1595	1685	1865	530	600 x 600 650 x 650	6	22	1000
CAL65655-8	800	750	910	1595	1685	1915	580		8	28	1000
CAL65655-12	800	750	1340	1585	1695	2345	790		12	34	1000
CAL656510-24	1530	790	1790	2500	1685	2630	1415		24	56	1000
CAL75755-6	900	850	710	1730	1785	1865	590	700 x 700 750 x 750	6	28	1000
CAL75755-8	900	850	910	1730	1785	1915	640		8	31	1000
CAL75755-12	900	850	1340	1770	1810	2320	880		12	43	1000
CAL85855-6	1000	950	710	1830	1885	1865	665	800 x 800 850 x 850	6	30	1000
CAL85855-8	1000	950	910	1810	1885	1920	735		8	38	1000
CAL85855-12	1000	950	1340	1870	1910	2320	965		12	48	1000

* Weight given excludes rack and trays



CONTACT US

P: +61 8 9417 4226

E-Mail: sales@furnace-technologies.com.au

www.furnace-technologies.com.au

Furnace Technologies Pty Ltd
60 Cutler Road, Jandakot, WA 6164



A select range of high quality controllers is available with our calcine ovens. This allows you to choose an option that offers the programming specifications, functions and interface that best fit your needs and provides the desired degree of control of the firing process.



TAIE Temperature Controllers

- ◆ Digital PID Controller
- ◆ Single (FY 400) or multi program (FY 700)
- ◆ 8 steps in each program



Shinko PCB Temperature Controller

- ◆ Digital PID Controller
- ◆ 10 program
- ◆ 10 steps in each program



Bartlett Genesis 2.0 Kiln Controller

- ◆ User-friendly touch screen interface for simple and effective operation
- ◆ 30 programs
- ◆ 32 steps in each program
- ◆ Monitor your firing via PC or phone app



Eurotherm EPC 3016 Temperature Controller

- ◆ Digital PID Control
- ◆ 10 programs
- ◆ 24 steps in each program
- ◆ Remote monitoring and control via Ethernet connection

CONTACT US

P: +61 8 9417 4226

E-Mail: sales@furnace-technologies.com.au

www.furnace-technologies.com.au

Furnace Technologies Pty Ltd
60 Cutler Road, Jandakot, WA 6164