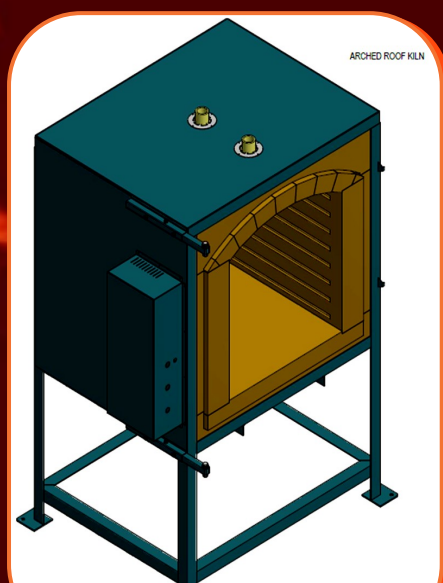
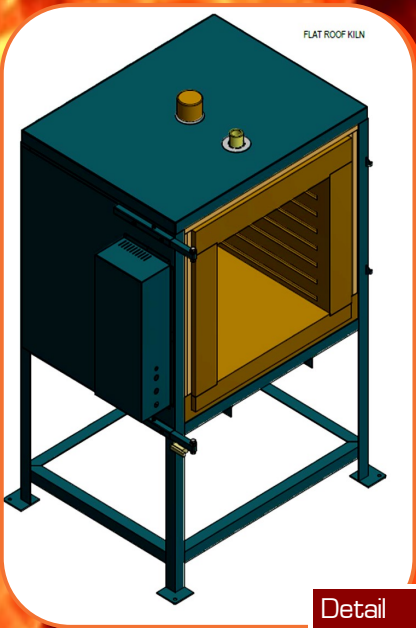




Furnace Technologies has been manufacturing pottery kilns in Western Australia since 1994. Our proven designs and attention to detail have set the standard for kiln manufacture. Our kilns are manufactured in a variety of sizes and for different power requirements. All of our kilns come in standard and HP (high powered) models to suit power availability and loads.

Our electric kilns can also be fitted with a number of optional features to suit your requirements. Custom sizes can be designed and manufactured on request.



Detail	Standard	Options
Shell	PGI	Stainless Steel
Thermocouples	Type K	Type R
Roof Style	Flat	Arched
Door hinge	LHS	Vertical or RHS
Over Temperature Protection	No	Thermal fuse or Control TC
Control	Single program	TAIE/Shinko multi program/ Unitronics PLC

Electric Kiln Optional Features

CONTACT US

P: +61 8 9417 4226 | F: +61 8 9417 9827

E-Mail: sales@furnace-technologies.com.au

www.furnace-technologies.com.au

Furnace Technologies Pty Ltd

60 Cutler Road, Jandakot, WA 6164



Standard Electric Pottery Kiln Specifications

KILNS Model	Internal mm			External mm			Power kw	Plug\ amp*	Max Temp
	W	D	H	W	D	H			
C10	225	225	225	450	485	510	2.4	3\10	1100C
P14	330	330	330	750	540	580	3.6	3\15	1250C
C14	330	330	330	750	540	580	2.4	3\10	1100C
P27	380	380	460	950	775	795	4.8	3\20	1280C
C27	380	380	460	950	775	795	3.6	3\15	1100C
P52S	490	490	610	1060	985	1620	9.2	5\20	1280C
P52HP	490	490	610	1060	985	1620	10.8	5\20	1280C
P80S	610	610	610	1180	1060	1615	10.8	5\20	1280C
P80HP	610	610	610	1180	1060	1615	14.2	5\32	1280C
P90S	610	610	760	1180	1060	1730	13.7	5\32	1280C
P90S-S	580	580	840	1060	1035	1740	13.7	5\32	1280C
P90HP	610	610	760	1180	1060	1780	18.0	5\32	1280C
P100S	610	610	835	1180	1060	1780	15.3	5\32	1280C
P100HP	610	610	835	1180	1060	1780	18.2	5\32	1280C
P120S	610	610	910	1200	1060	1780	16.8	5\32	1280C
P120HP	610	610	910	1200	1060	1780	20	5\50	1280C
P160S	850	850	1200	1500	1460	2200	29	5\50	1280C

*Outlet required

CONTACT US

P: +61 8 9417 4226 | F: +61 8 9417 9827

E-Mail: sales@furnace-technologies.com.au

www.furnace-technologies.com.au

Furnace Technologies Pty Ltd

60 Cutler Road, Jandakot, WA 6164



A select range of high quality controllers is available with our pottery kilns. This allows you to choose an option that offers the programming specifications, functions and interface that best fit your needs and provide the desired degree of control of the firing process.

FY 400

FY 700



TAIE Temperature Controllers

- ◆ Digital PID Controller
- ◆ Single (FY 400) or 18 program (FY 700)
- ◆ 8 steps in each program



Shinko PCB Temperature Controller

- ◆ Digital PID Controller
- ◆ 10 program
- ◆ 10 steps in each program



FT Touch Screen Control Box featuring

Unitronics Samba 3.5" PLC - SM35-J-RA22 Controller

- ◆ User-friendly touch screen interface for simple and effective operation
- ◆ 10 recipes
- ◆ 10 steps in each recipe
- ◆ Pre-programmed with standard Bisque and Glost firing patterns, additional programs or adjustments to parameters available on request.

CONTACT US

P: +61 8 9417 4226 | F: +61 8 9417 9827

E-Mail: sales@furnace-technologies.com.au

www.furnace-technologies.com.au

Furnace Technologies Pty Ltd

60 Cutler Road, Jandakot, WA 6164