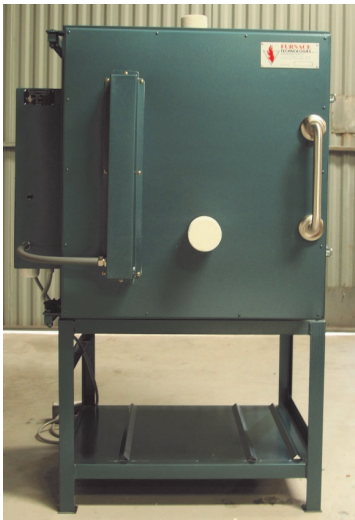
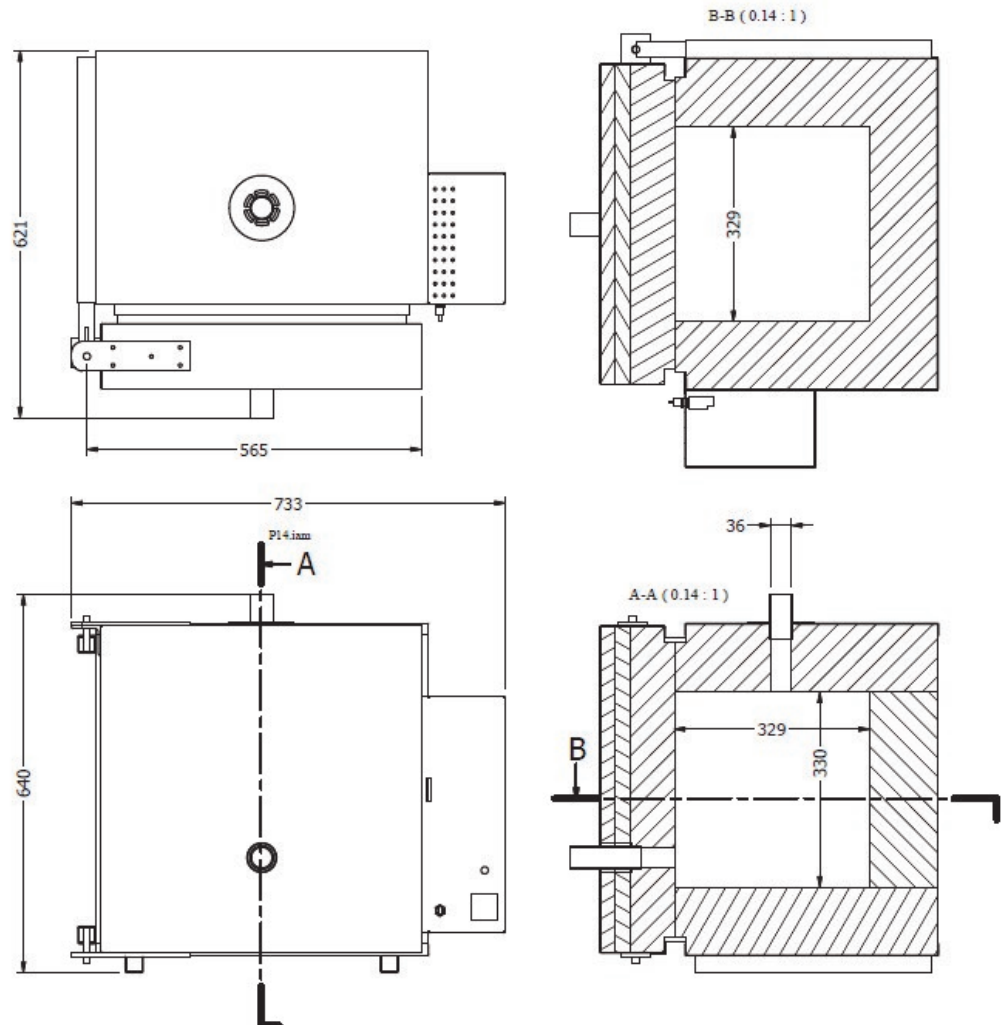


P14 & C14 Kiln

Furnace Technologies offer the P14 and C14 kiln specifically for pottery and China firing. The lower powered C14 is ideal for those who want a kiln specifically for China while the P14 caters for pottery firing requirements. For more details please contact our sales team.



P52 (with lower shelf-custom)

| Detail | Standard | Options |
|-----------------------------|-------------|--------------------|
| Shell | PGI | Stainless Steel |
| Thermocouples | Type K | R,J,S |
| Roof Style | Flat | Ached |
| Door hinge | LHS or RHS | Vertical |
| Over Temperature Protection | No | Control TC |
| Control | Single Ramp | Fully programmable |

| Model | Internal mm | | | External mm | | | Power kw | Plug\amp | Max Temp |
|-------|-------------|-----|-----|-------------|-----|-----|----------|----------|-------------|
| | W | D | H | W | D | H | | | |
| P14 | 330 | 330 | 330 | 750 | 540 | 580 | 3.6 | 3\15 | 1280 |
| C14 | 330 | 330 | 330 | 750 | 540 | 580 | 2.4 | 3\10 | 1280 Slower |