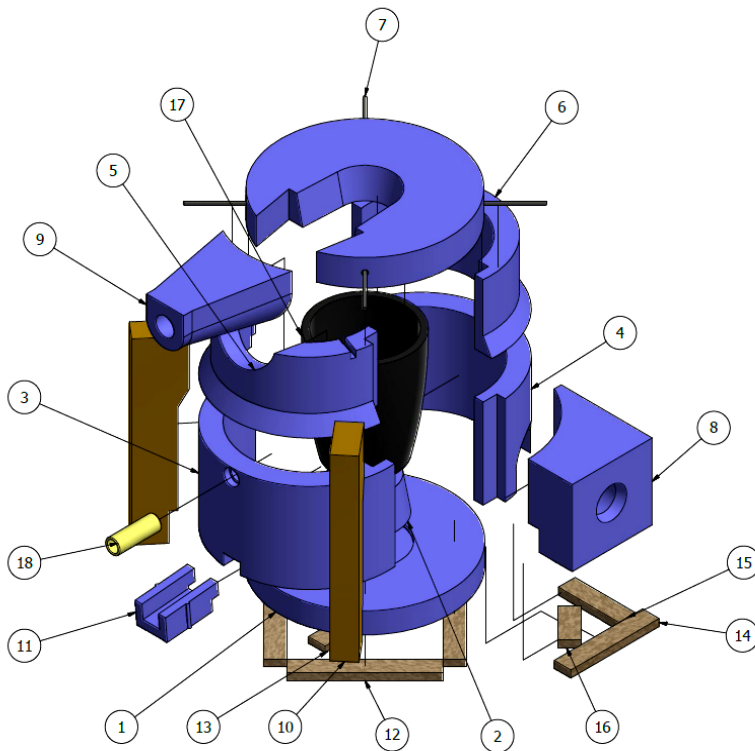
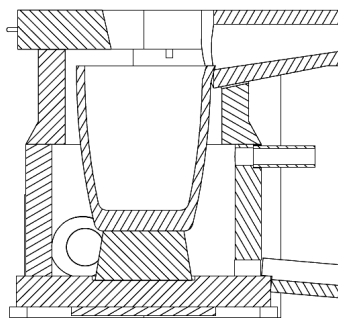
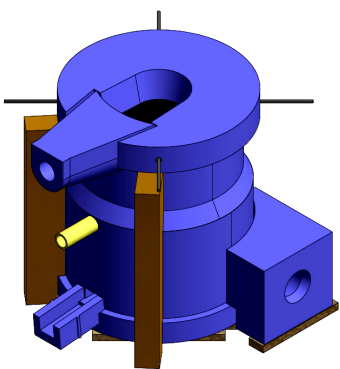


The A100 Reline Kit is a complete set of parts and consumable materials to fully reline your A100 Tilt Furnace



Kit includes:

- 1 x Cast base plate (ID 1)
- 1 x Cast stand (ID 2)
- 1 x Bottom front cast panel (ID 3)
- 1 x Bottom cast rear panel (ID 4)
- 1 x Top front cast panel (ID 5)
- 1 x Top rear cast panel (ID 6)
- 1 x Cast Lid (ID 7)
- 1 x Burner Port (ID 8)
- 1 x Pouring Spout (ID 9)
- 8 x Refractory support bricks (ID 10)
- 1 x Spillway (ID 11)
- 8 x Base bricks (ID 12-16)
- 1 x Spill tube (ID 18)
- 1 x 20 kg SC85 Grout
- 2 x Rolls of 128kg ceramic fibre



CONTACT US

P: +61 8 9417 4226 | F: +61 8 9417 9827

E-Mail: sales@furnace-technologies.com.au

www.furnace-technologies.com.au

Furnace Technologies Pty Ltd

60 Cutler Road, Jandakot, WA 6164