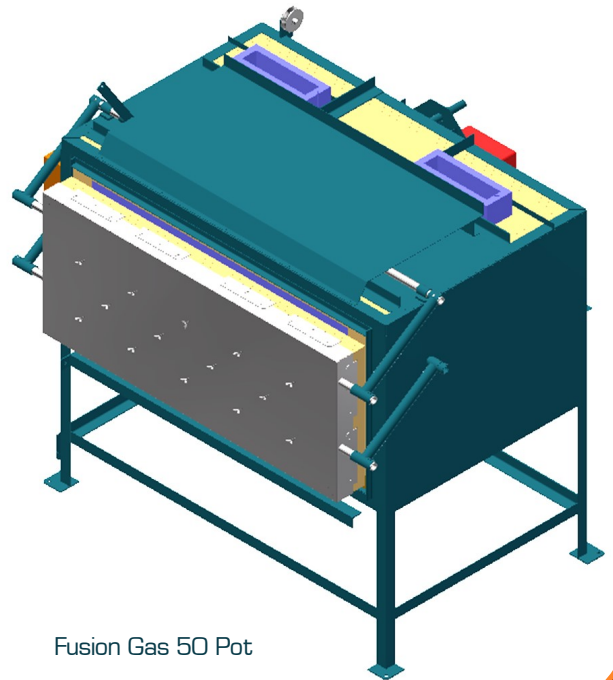


Fusion Electric 50 Pot



Fusion Gas 50 Pot

	Features
Construction	50 x 50 x 5 mm angle 3mm plate 40mm NB pipe 0.9mm galvanised sheet Option—stainless steel sheeting
Refractory	75mm 80% high alumina castable 100Mpa CCS 200mm insulation back-up
Temp. Control	Digital PID control Type K thermocouple 1300c
Power	240 Vac 10 amp single phase
Burner Options	LPG, Natural Gas, Diesoline or Electric
Door	0.9 mm stainless steel Vertical automatic door

CONTACT US

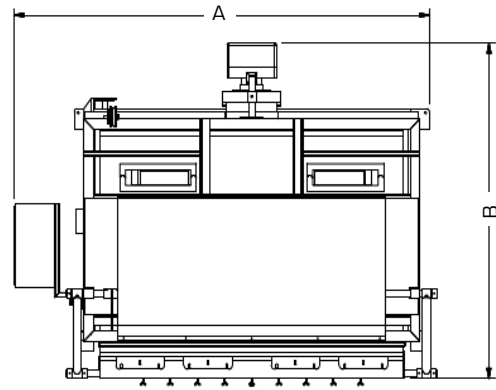
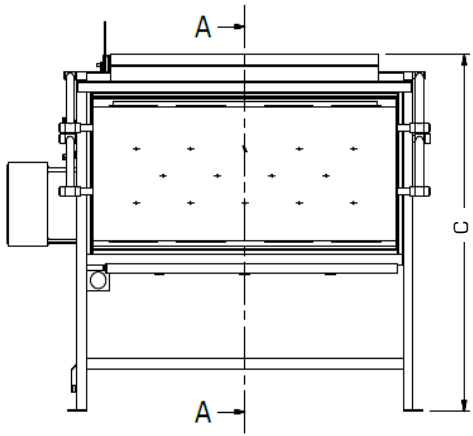
P: +61 8 9417 4226 | F: +61 8 9417 9827

E-Mail: sales@furnace-technologies.com.au

www.furnace-technologies.com.au

Furnace Technologies Pty Ltd

60 Cutler Road, Jandakot, WA 6164



	Furnace Model					
Dimensions (mm)	FF-30G	FF-40G	FF-50G	FF-60G	Fusion 50 EL	Fusion 36 EL
Ext Width (A)	1652	1830	2180	2180	2169	1875
Ext Length (B)	1559	1540	1526	1616	1345	1515
Ext Height (C)	1677	1717	1717	1717	1678	1605
Int Length (D)	690	660	657	732	587	762
Int Width (E)	732	890	1240	1240	1015	784
Capacity	42 x 50g pots 56 x 55g 30 x 65g	48 x 50g pots 70 x 55g 40 x 65g	66 x 50g pots 98 x 55g 50 x 65g	77 x 50g pots 112 x 55g 60 x 65g	50 x 55g pots 45 x 65g	49 x 55g pots 36 x 65g



CONTACT US

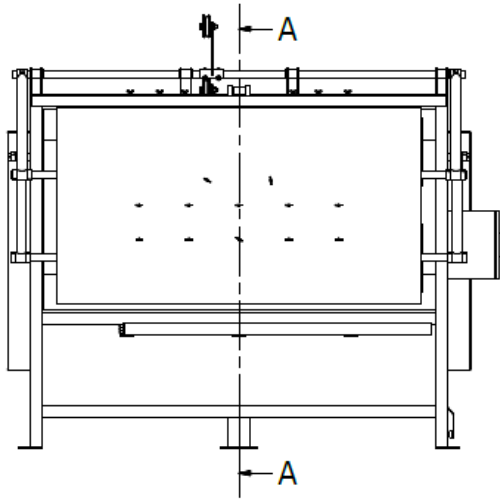
P: +61 8 9417 4226 | F: +61 8 9417 9827

E-Mail: sales@furnace-technologies.com.au

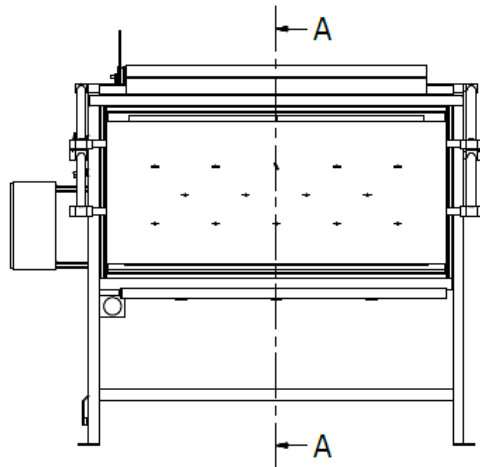
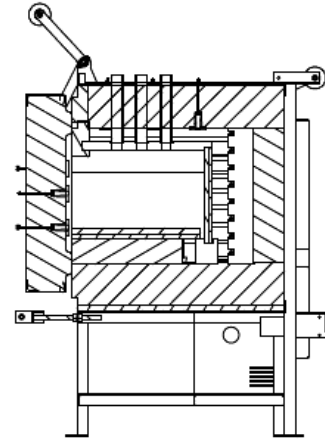
www.furnace-technologies.com.au

Furnace Technologies Pty Ltd

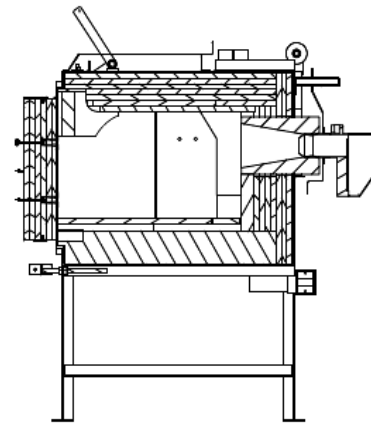
60 Cutler Road, Jandakot, WA 6164



Fusion Electric 50 Pot



Fusion Electric 50 Pot



CONTACT US

P: +61 8 9417 4226 | F: +61 8 9417 9827

E-Mail: sales@furnace-technologies.com.au

www.furnace-technologies.com.au

Furnace Technologies Pty Ltd

60 Cutler Road, Jandakot, WA 6164