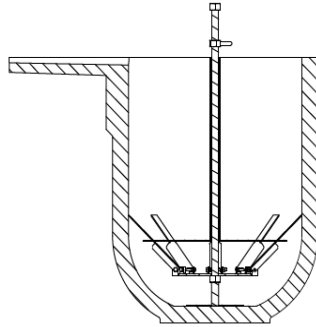
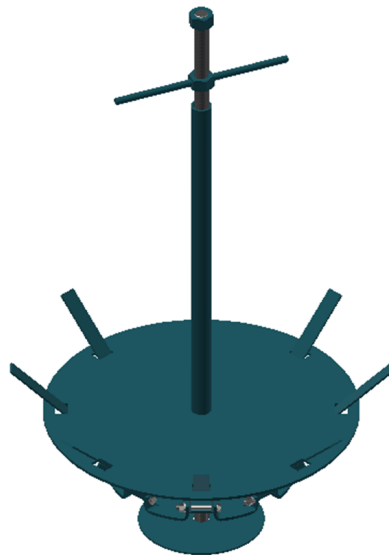




The **Internal Crucible Lifting Tool** has been designed to suit the loading of A100—A300 Crucibles into confined locations.



Designs include a hand lift model which can be used by two persons to lift the crucible or a forklift model for use with forklifts, gantry cranes or jibs.



HAND LIFT MODEL



FORKLIFT MODEL

CONTACT US

P: +61 8 9417 4226 | F: +61 8 9417 9827

E-Mail: sales@furnace-technologies.com.au

www.furnace-technologies.com.au

Furnace Technologies Pty Ltd

60 Cutler Road, Jandakot, WA 6164