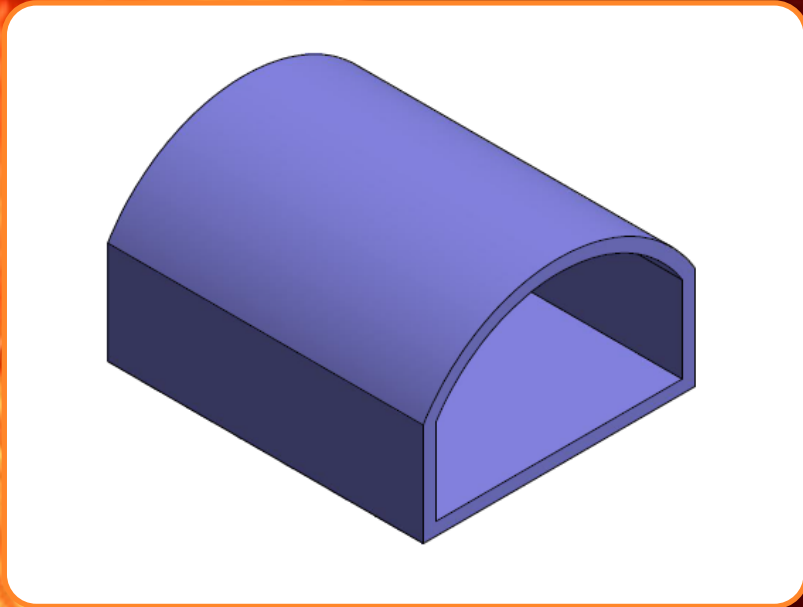
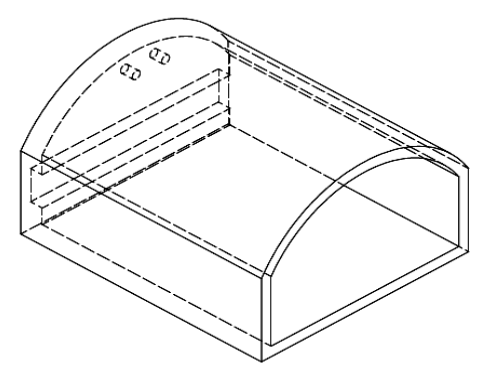
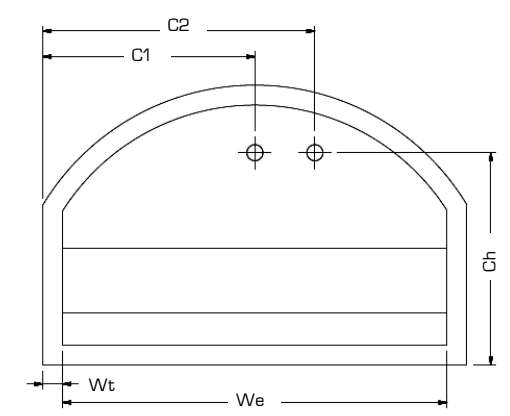
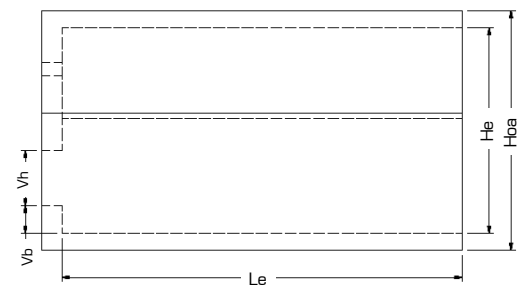




Muffel Dimensions (mm)	Furnace Model				
	MUF-1	MUF-3	VC-MUF-04	VC-MUF-05	VC-MUF-08R
We	220	220	260	480	735
Le	375	370	460	585	700
He	150	150	205	300	405
Hoa	180	180	245	350	430
Wt	15	15	20	25	25
C1	65	65	150	265	367.5
C2	-	185	200	340	
Ch	140	140	200	280	280
Vb	-	40	40	40	
Vh	-	70	70	80	
Vw	-	220	260	480	480
VØ	55R	-	-	-	
Top	Flat	Flat	Arch	Arch	Arch
Places	30	30	50	100	168



CONTACT US

P: +61 8 9417 4226 | F: +61 8 9417 9827

E-Mail: sales@furnace-technologies.com.au

www.furnace-technologies.com.au

Furnace Technologies Pty Ltd

60 Cutler Road, Jandakot, WA 6164