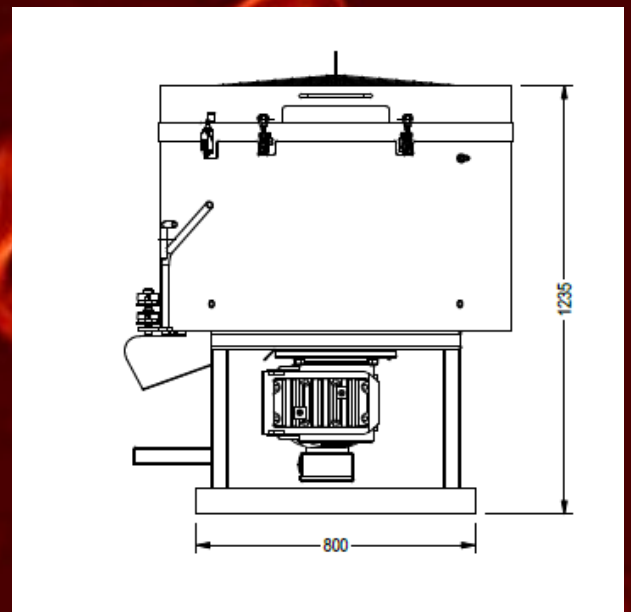
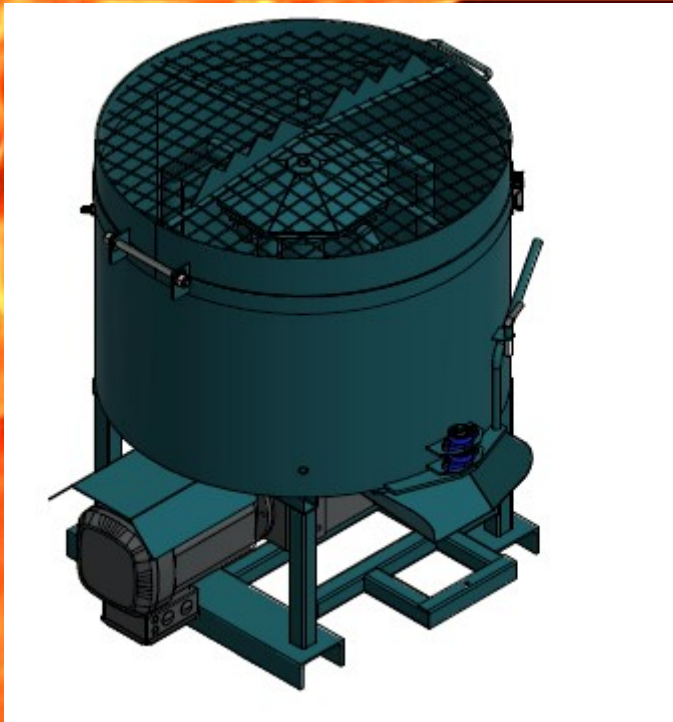




The FT250 Pan mixer has been designed with durability and ease of use in mind.

Specifications and features:

- 250kg maximum load
- VSD drive with optional Timer and Alarm
- Quality SEW Eurodrive Helical bevel gearbox
- 75 kW Motor



**CONTACT US**

P: +61 8 9417 4226 | F: +61 8 9417 9827

E-Mail: [sales@furnace-technologies.com.au](mailto:sales@furnace-technologies.com.au)

[www.furnace-technologies.com.au](http://www.furnace-technologies.com.au)

Furnace Technologies Pty Ltd

60 Cutler Road, Jandakot, WA 6164